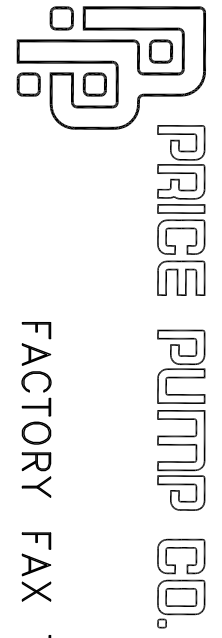


DESCRIPTION
 XL100/150/200 POWER FRAME ASSEMBLY

REF. NO.
 O-XL-PF

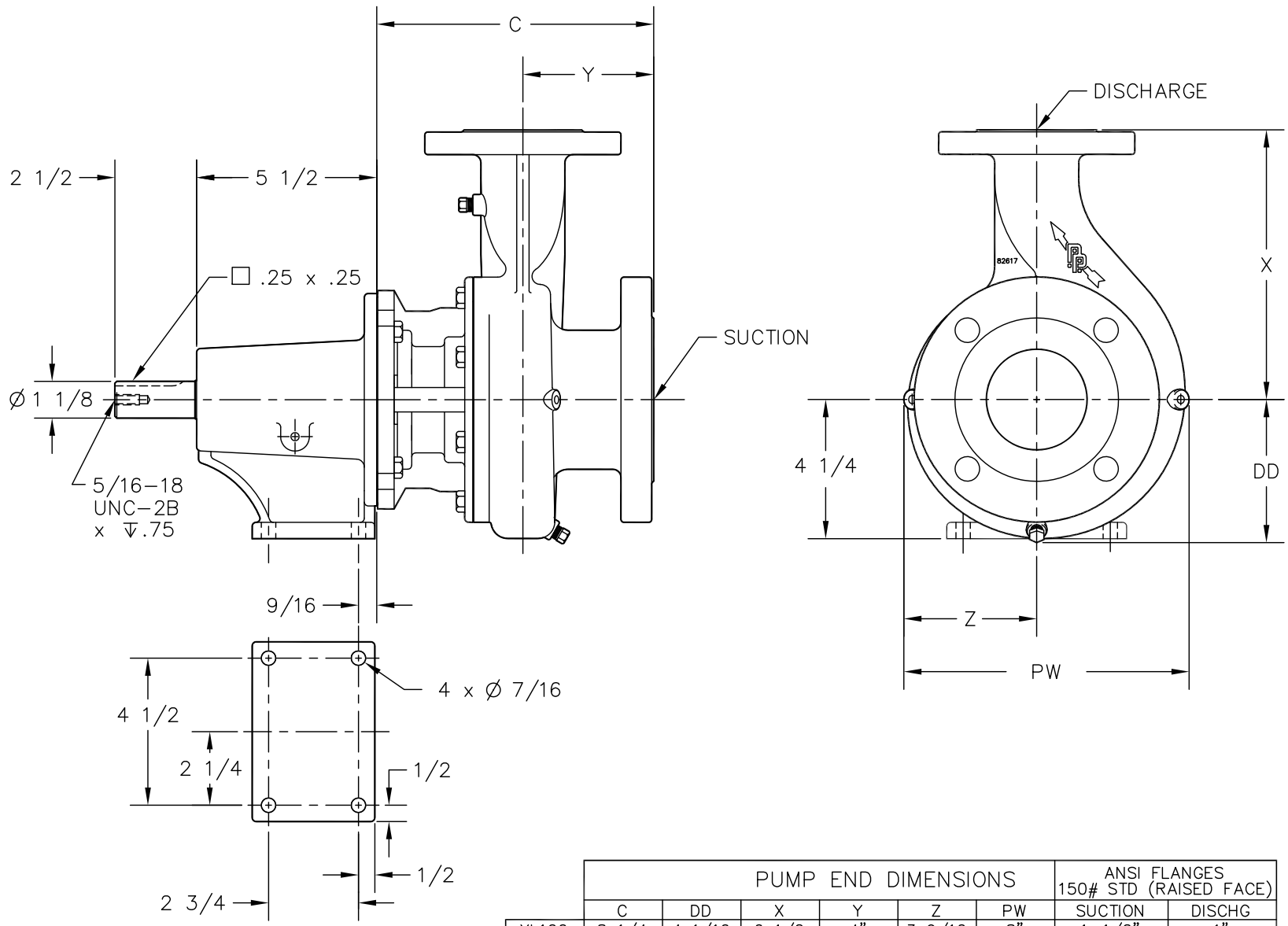
DATE
 5-3-93

REV.
 B



FACTORY FAX TRANSMITTAL DRAWING

21775 Eighth Street East
 Sonoma, CA 95476 (707) 938-8441
 707-FAX 938-0764



	PUMP END DIMENSIONS						ANSI FLANGES 150# STD (RAISED FACE)	
	C	DD	X	Y	Z	PW	SUCTION	DISCHG
XL100	8 1/4	4 1/16	6 1/2	4"	3 9/16	8"	1-1/2"	1"
XL150	8 1/4	4 3/8	6 1/2	4"	4"	8 3/8	3"	1-1/2"
XL200	8 1/2	4 3/8	8 1/4	4"	4 1/16	8 3/4	3"	2"

NOTES

1. ALL DIMENSIONS ARE ROUNDED TO THE NEAREST 1/8 INCH.